

LIFTRONIC® - LIFTRUCK



MAX GROSS
CAPACITY
50KG



VERTICAL
STROKE
MAX 3.25 m



POWER SUPPLY
110/230 V-AC
50/60 Hz



POWER
CONSUMPTION
MAX 700 VA



ENCLOSURE
PROTECTION
54 IP



INDEVA[®]

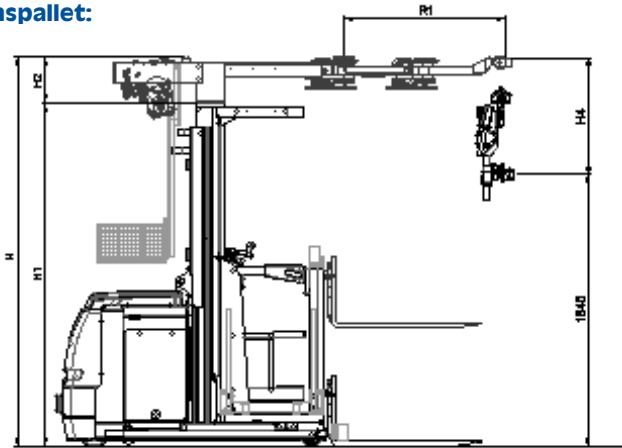
INTELLIGENT DEVICES FOR HANDLING

LIFTRUCK WITH MANIPULATOR-ARM

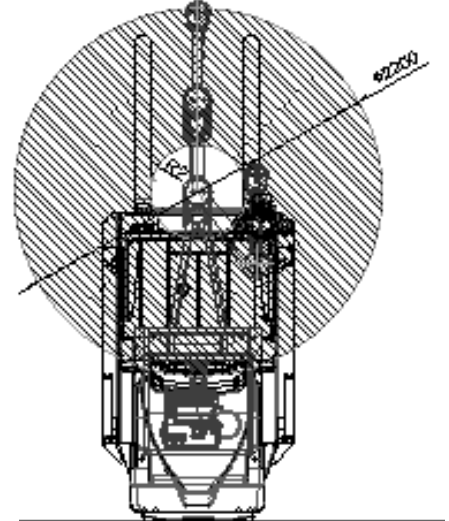
	MODEL EXAMPLES	
	Order Picker	Transpallet
Gross load cap. *(Kg)	50	50
Max vert stroke (mm)	3400*	1846
R1 (mm)	1100	1100
R2 (mm) out-of-reach area	285	285
H (mm)	4155	2655
H1 (mm)	3840	2340
H2 (mm)	315	315
H4 (mm)	800	800
Max rotation around column axis (deg)	280°	280°

* Total stroke: manipulator and forklift.

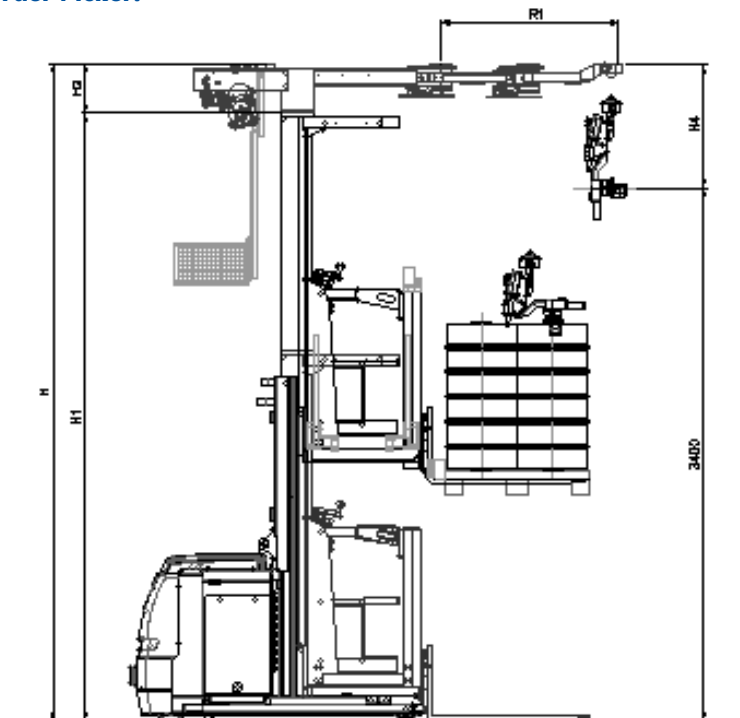
Transpallet:



Out of reach area:



Order Picker:



Optionals on request:

- Different paint color
- Different arm length

Due to continuous product improvement, these specifications may change without notice.

This document is property of INDEVA S.p.A.; any partial or full reproduction without written authorization by the owner is prohibited.